



## flexi library

design... that fits!



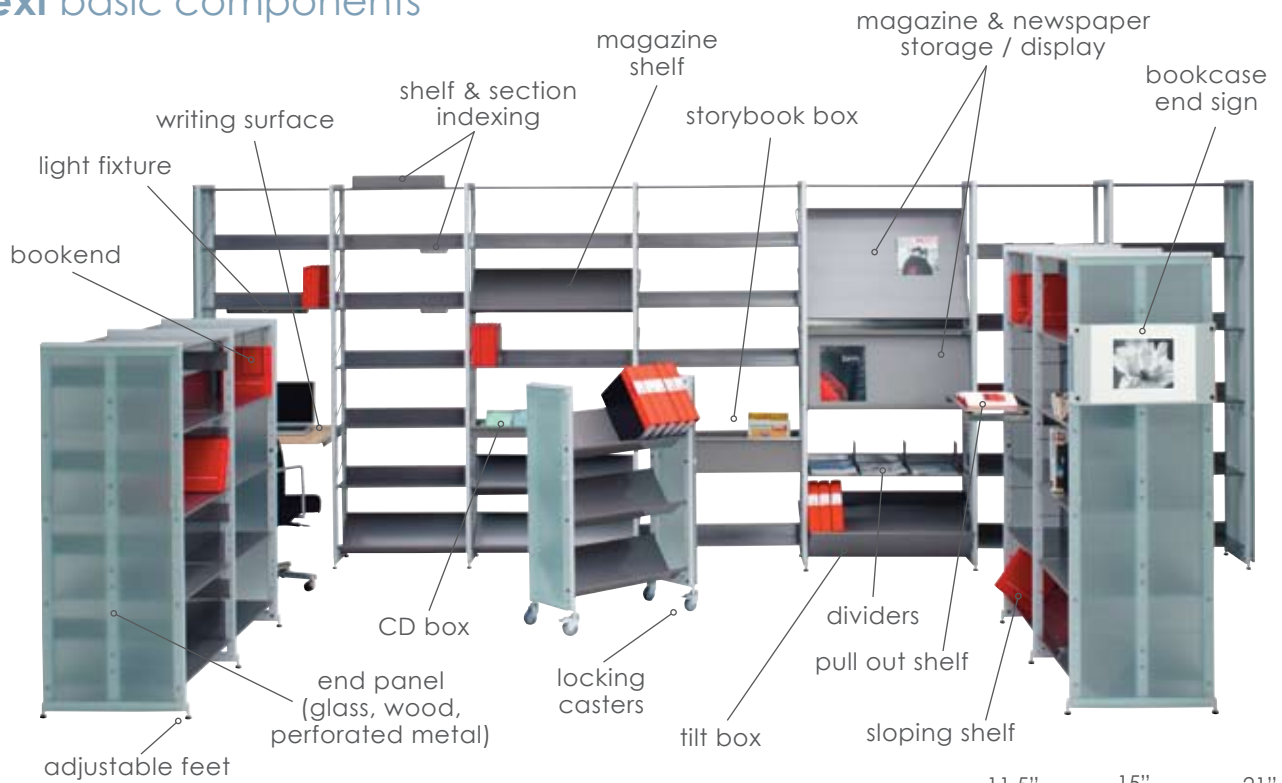
...design that fits!



## flexi library

A complete shelving system which, in different combinations, offers a wide variety of solutions for today's library. Economy, flexibility, function, well thought-out design and environmental considerations are the fundamental elements in this system's design. The shelving system's basic components are single- and double-sided wooden uprights, stabilized by unique, movable shelf units in lacquered steel. The same shelf design can be used for flat or slanted displays. The upright system allows unique changeovers from shallow to deep shelving or single to double shelf sets all connected together to create an attractive continuous whole.

### flexi basic components



### finish options

#### END PANELS:

wood, steel, glass, perforated steel



wood



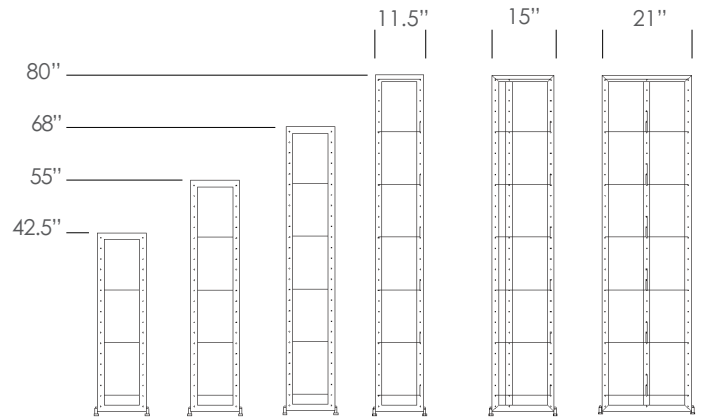
steel



glass



perforated steel



flexi library

